

Housing TELE



Housing series VOX

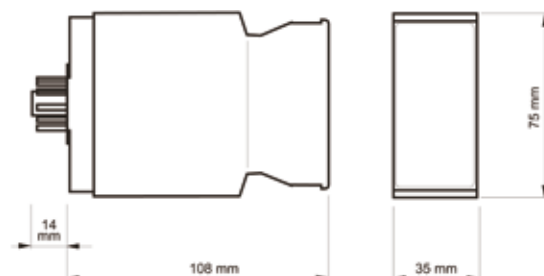
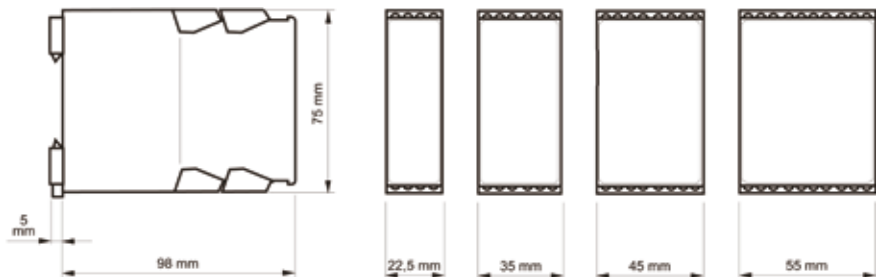
Industrial design for panel building and plant engineering

- Up to 20 terminals
- Snap-in mounting without tools
- Big front plate for controls and marking
- Separate frontplate
- Separate terminal-blocks
- DIN rail mounting or Plug-in mounting
- Width from 22,5mm to 55mm
- Industrial design
- Produced since 1984

Type VOX 5X VOX 4X VOX 3X VOX 2X VOX 3V



Art.No.	803017	803006	803007	803009	803008
Width	55mm	45mm	35mm	22,5mm	35mm
Housing color	Black front and base • Shell gray (near RAL 7035) (other colors on request)				
Mounting	DIN-rail TS35	DIN-rail TS35	DIN-rail TS35	DIN-rail TS35	plug-in socket
Assambling	snap-in mounting without tools				
Electrical connection	20 cage clamps	16 cage clamps	12 cage clamps	16 cage clamps	11 pins
Internal electrical connection	solder lug for wires	solder lug for wires	solder lug for wires	solder lug for wires	soldered wires
Rated voltage	250 V AC / 300V DC				
max. current load of individual contacts	16A	16A	16A	16A	10A
max. thermal power loss	6W	5W	4W	3W	4W
Mechanical design	Self-extinguishing plastic housing, IP rating IP40 • Mounted on DIN-rail TS35 according to EN 50022 or on 11 pin plug-in socket • shockproof terminal connection according to VBG 4 (PZ1 required), IP rating IP20 • tightening torque max. 1Nm				
Terminal capacity	1 x 0,5 to 2,5mm ² with/without multicore cable end • 1 x 4mm ² without multicore cable end • 2 x 0,5 to 1,5mm ² with/without multicore cable end • 2 x 2,5mm ² flexible without multicore cable end				
Temperature range	-25 to 85°C	-25 to 85°C	-25 to 85°C	-25 to 85°C	-25 to 85°C
Price	26,40 €	22,40 €	17,60 €	20,80 €	11,20 €
Accessories	VOX 2-5X: Mounting plate for single mounting • VOX 3V: plug-in socket, retaining clip				



Housing series TREND

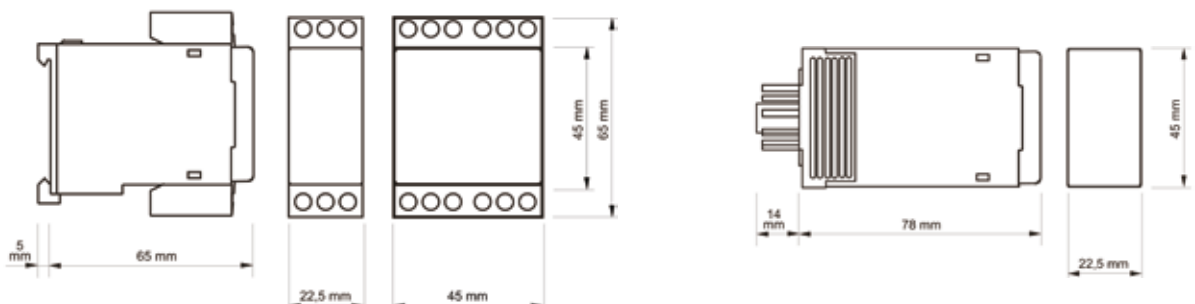
Compact size for machine builder

- Low profile
- Terminals of DIN-rail mounted units near front plate
- Plug-in version for simple replacement
- Undetachable terminals screws
- Well proven snap-in mounting without tools
- DIN rail mounting or Plug-in mounting
- Width von 22,5mm to 45mm
- Industrial design
- Produced since 1990

Type Trend 4X Trend 2X Trend 2V (8 polig) Trend 2V (11 polig)



Art.No.	803015	803014	803021	803019
Width	45mm	22,5mm	22,5mm	22,5mm
Housing color	black front • Shell gray (near RAL 7035) other colors on request	black front • Shell gray (near RAL 7035) other colors on request	Black front and base • Shell gray (near RAL 7035) other colors on request	Black front and base • Shell gray (near RAL 7035) other colors on request
Mounting	DIN-rail TS35	DIN-rail TS35	plug-in socket	plug-in socket
Assambling	snap-in mounting without tools			
electrical connection	12 cage clamps with undetachable screws	6 cage clamps with undetachable screws	8 pins	11 pins
internal electrical connection	solder lug for wires	solder lug for wires	soldered wires	soldered wires
Rated voltage	250 V AC / 300V DC			
max. current load of individual contacts	16A	16A	10A	10A
max. thermal power loss	3W	1,5W	1,5W	1,5W
Mechanical design	Self-extinguishing plastic housing, IP rating IP40 • Mounted on DIN-rail TS35 according to EN 50022 on 8 or 11 pin-socket • shockproof terminal connection according to VBG 4 (PZ1 required), IP rating IP20 • tightening torque max. 1Nm			
Terminal capacity	1 x 0,5 to 2,5mm ² with/without multicore cable end • 1 x 4mm ² without multicore cable end • 2 x 0,5 to 1,5mm ² with/without multicore cable end • 2 x 2,5mm ² flexible without multicore cable end			
Temperature range	-25 to 85°C	-25 to 85°C	-25 to 85°C	-25 to 85°C
Price	21,60 €	12 €	8 €	8 €
Accessories	Trend 4X and Trend 2X: side mounted add on terminals (max. 2 per unit) Mounting plate for single mounting • Trend 2V: plug-in socket, retaining clip			

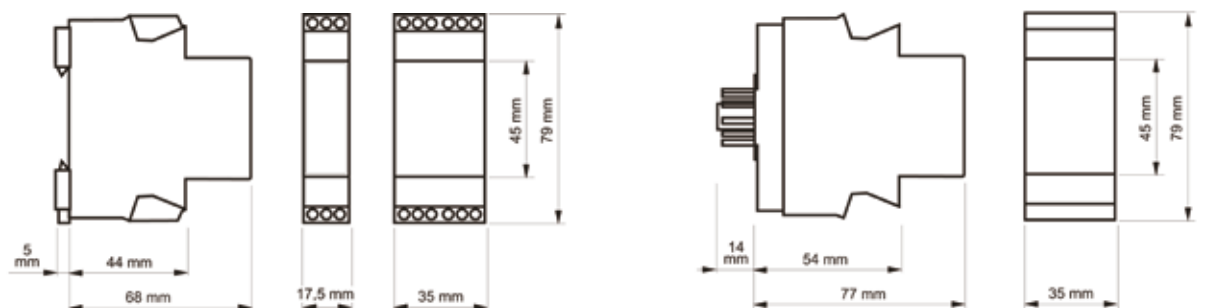


Housing series CLIP

Installation profile for distribution boards and switching cabinets

- Plug-in version for simple replacement
- Separate frontplate
- Separate terminal blocks
- Well proven snap-in mounting without tools
- Cap size 45mm
- DIN rail mounting or plug-in mounting
- Width 17,5mm or 35mm
- Installation design
- Produced since 1985

Type	Clip 3X	CLIP 1X	CLIP 3V
Art.No.	803010	803012	803011
Width	35mm	17,5mm	35mm
Housing color	Black front and base • Shell gray (near RAL 7035) other colors on request		
Mounting	DIN-rail TS35	DIN-rail TS35	plug-in socket
Assambling		snap-in mounting without tools	
Electrical connection	12 cage clamps with undetachable screws	6 cage clamps with undetachable screws	11 pins
Internal electrical connection	solder lug for wires	solder lug for wires	soldered wires
Rated voltage	250 V AC / 300V DC	250 V AC / 300V DC	250 V AC / 300V DC
max. current load of individual contacts	16A	16A	10A
max. thermal power loss	2W	1W	2W
Mechanical design	Self-extinguishing plastic housing, IP rating IP40 • Mounted on DIN-rail TS35 according to EN 50022 on 11pins socket • shockproof terminal connection according to VBG 4 (PZ1 required), IP rating IP20 • tightening torque max. 1Nm		
Terminal capacity	1 x 0,5 to 2,5mm ² with/without multicore cable end • 1 x 4mm ² without multicore cable end • 2 x 0,5 to 1,5mm ² with/without multicore cable end • 2 x 2,5mm ² flexible without multicore cable endn		
Temperature range	-25 to 85°C	-25 to 85°C	-25 to 85°C
Price	16 €	11,20 €	9,60 €
Accessories	Clip 3X und Clip 1X: Mounting plate for single mounting • Clip 3V: plug-in socket, retaining clip		



Housing series PLUS

State of the art technology for the well known 11 pin socket

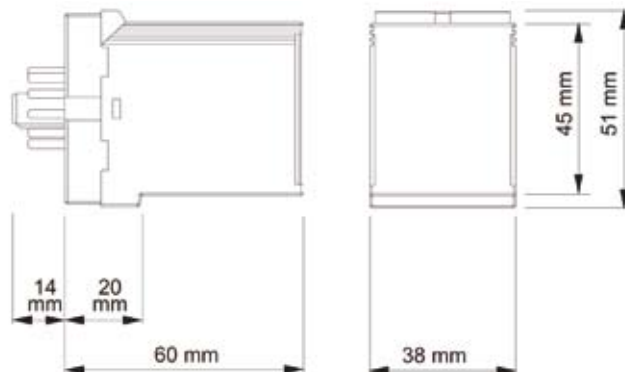
- Unremoveable when mounted in a covered distribution board
- Plug-in version for simple replacement
- Well proven snap-in mounting without tools
- Cap size 45mm
- Plug-in mounting
- Width 38mm
- Universal design for application in electrical distribution and industry
- Produced since 1998

Type

Plus



Art.No.	803013
Width	38mm
Housing color	Cap gray (near RAL 7035) • black base other colors on request
Mounting	Plug-in socket
Assambling	snap-in mounting without tools
electrical connection	11 pins
internal electrical connection	soldered wires
Rated voltage	250 V AC / 300V DC
max. current load of individual contacts	10A
max. thermal power loss	2W
Mechanical design	Self-extinguishing plastic housing, IP rating IP40 • Mounting on 11 pin plug-in socket according IEC 67-1-18a (Type R11X or ES12) • Mounting position any
Temperature range	-25 to 85°C
Price	6,40 €
Accessories	plug-in socket, retaining clip



Housing series FRONT

Panel mounting

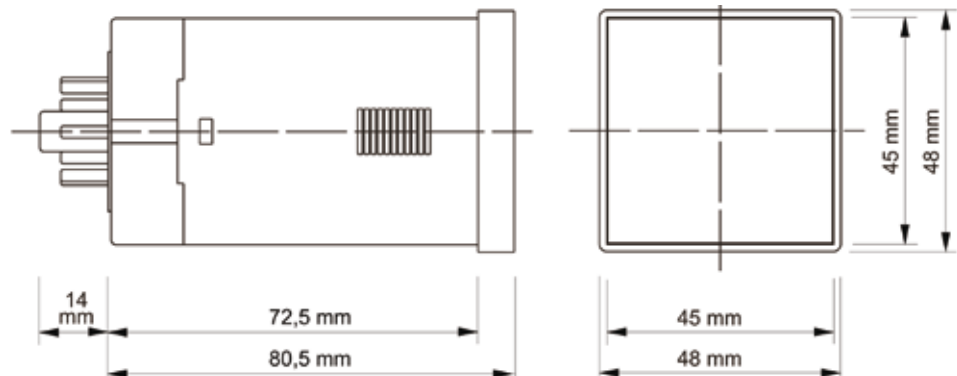
- Retaining clip for assambling (included)
- Well proven snap-in mounting without tools
- Separate frontplate
- Plug-in mounting
- Dimension for mounting hole 45 x 45mm
- Width 48mm
- Panel mounting
- Produced since 1993

Type

Front



Art.No.	803016
Width	48mm
Housing color	black other colors on request
Mounting	Plug-in socket, or retaining clip for panel mounting
Assambling	snap-in mounting without tools
electrical connection	11 pins
internal electrical connection	soldered wires
Rated voltage	250 V AC / 300V DC
max. current load of individual contacts	10A
max. thermal power loss	3W
Mechanical design	Self-extinguishing plastic housing, IP rating IP66 • Mounting with retaining clip (included) mounting hole 45 x 45mm according DIN 43700 (electrical connection by socket Typ TVC11 - not included) or on 11 pin plug-in socket according IEC 67-1-18a (Type R11X)
Temperature range	-25 to 85°C
Price	15,20 €
Accessories	plug-in socket for DIN-rail mounting; plug-in socket RX11 with back side screws for panel mounting



Housing series T

Well proven design for plug-in mounting

- Plug-in version for simple replacement
- 8 or 11 pin design
- Rugged construction
- Width 50mm
- Plug-in mounting
- Produced since 1970

Type

series T 11-pin

series T 8-pin



Art.No.	802002	802000
Width	50 mm	50 mm
Housing color	black other colors on request	
Mounting	plug-in socket	
Assambling	snap-in mounting without tools	
electrical connection	11 pins	8 pins
internal electrical connection	soldered wires	
Rated voltage	250 V AC / 300V DC	250 V AC / 300V DC
max. current load of individual contacts	10A	10A
max. thermal power loss	3W	3W
Mechanical design	Self-extinguishing plastic housing, IP rating IP40 • Mounted on DIN-rail TS35 according to EN 50022 • socket according IEC 67-1-18a (Type R11X)	
Temperature range	-25 to 85°C	-25 to 85°C
Price	6,40 €	6,40 €
Accessories	plug-in socket	

